

Thank you for purchasing a Sealey product. Manufactured to a high standard, this product will, if used according to these instructions, and properly maintained, give you years of trouble free performance.

IMPORTANT: PLEASE READ THESE INSTRUCTIONS CAREFULLY. NOTE THE SAFE OPERATIONAL REQUIREMENTS, WARNINGS & CAUTIONS. USE THE PRODUCT CORRECTLY AND WITH CARE FOR THE PURPOSE FOR WHICH IT IS INTENDED. FAILURE TO DO SO MAY CAUSE DAMAGE AND/OR PERSONAL INJURY AND WILL INVALIDATE THE WARRANTY. KEEP THESE INSTRUCTIONS SAFE FOR FUTURE USE.



Refer to instruction manual



Wear protective gloves



Wear eye protection

1. SAFETY

- ✓ Ensure that the cutter is securely mounted on a rigid work surface surrounded by sufficient free area to manipulate the workpiece easily and safely.
- ✓ Always wear suitable Personal Protective Equipment to guard against injury. Protective goggles and gloves are available from your Sealey stockist. Non slip footwear should be worn.
- ✓ Make sure that the work area is well lit and is kept tidy. The floor should be dry and clean.
- ✗ **DO NOT** allow fingers or hands to come into close proximity to the cutting wheels and beware of sharp edges and swarf.
- ✗ **DO NOT** use this product if tired or under the influence of alcohol or drugs.
- ✓ Keep children well away from this product at all times.

2. INTRODUCTION

Bench mounting, 8mm plate-steel disc cutter suitable for cutting up to 16 gauge steel sheet.

Deep throat and small cutting disc allows tighter curves to be cut than traditional straight blade cutters. Ratchet action cutter blade. Suitable for car restoration work as well as general workshop use.

3. OPERATION

3.1. SET-UP (see fig.1)

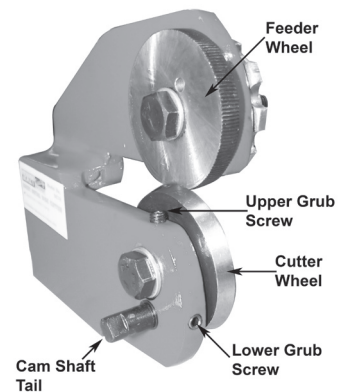
ALWAYS wear gloves when adjusting the cutter wheel.

- 3.1.1. The edge of the cutter wheel needs to overlap the edge of the feeder wheel by approximately the same value as the thickness of the metal to be cut. It is recommended that a piece of scrap material of the type to be cut is used to determine the optimum setting.
- 3.1.2. To achieve this, firstly loosen both the upper and lower grub screws using the hex key provided.
- 3.1.3. To increase the overlap, screw the lower grub screw in (clockwise) until the required overlap is reached. Tighten the upper grub screw until a gentle clamping force is applied.
- 3.1.4. To decrease the overlap, slacken the lower grub screw and turn the upper grub screw clockwise until the required overlap is reached. Tighten the lower grub screw gently to lock the cutter wheel.
- 3.1.5. If the cutter wheel is reluctant to move, use the flats on the tail of the cam shaft to move the cutter wheel and reset accurately using the grub screws.

3.2. CUTTING

- 3.2.1. Having set the overlap, introduce the workpiece into the bite between the cutter wheel and feed wheel.
- 3.2.2. Make sure that waste side of the work is to the right (feeder wheel) side.
- 3.2.3. Making sure that the pawl is sitting over the ratchet, pull the handle forward whilst applying slight pressure with your other hand toward the cut.
- 3.2.4. Keep the cutting action smooth until the cut is finished. If the action is stiff, reduce the overlap slightly as in 3.1.4.

fig.1



4. MAINTENANCE

- 4.1. When lubricating avoid getting oil onto the feeder wheel.
- 4.2. Replacement cutter and feeder wheel sets are available under part number no: DC16/B.

Parts support is available for this product. Please email sales@sealey.co.uk or telephone 01284 757500



ENVIRONMENT PROTECTION

Recycle unwanted materials instead of disposing of them as waste. All tools, accessories and packaging should be sorted, taken to a recycling centre and disposed of in a manner which is compatible with the environment. When the product becomes completely unserviceable and requires disposal, drain any fluids (if applicable) into approved containers and dispose of the product and fluids according to local regulations.

Note: It is our policy to continually improve products and as such we reserve the right to alter data, specifications and component parts without prior notice.

Important: No Liability is accepted for incorrect use of this product.

Warranty: Guarantee is 12 months from purchase date, proof of which is required for any claim.

Sealey Group, Kempson Way, Suffolk Business Park, Bury St Edmunds, Suffolk. IP32 7AR



01284 757500



01284 703534



sales@sealey.co.uk



www.sealey.co.uk